

BILL OF MATERIALS		
ITEM	QTY.	DESCRIPTION
PL-212	1	3-FEED PLUNGER LUBRICATOR LINCOLN PREMIER LUBE PUMP
PT-2120A/2120B/2123	2	ROSEMOUNT PRESSURE TRANSMITTER: MODEL 2088G4S22A1M5C6 (0-4000psi)
PDIT-2110	1	INVENSYS FOXBORO IDP10-A22C21C AUX SPECS: MR-01 INTEL ELEC D/P CELL TRANSMITTER
PI-2121	1	P.I. WIKA 0-160psi
PI-2132	1	P.I. WIKA 0-3000psi
PSV-2113	1	FARRIS RELIEF VALVE 1 1/2" ANSI 900# x 2" ANSI 300# SET PRESSURE 5000 kPag
VT-2120	1	METRIX VIBRATION TRANSMITTER MODEL ST5484E-121-02-000
LSLL-2120	1	LOW OIL LEVEL SHUTDOWN SWITCH (MURPHY EL150EX)
LSHH-2120	1	SOR HIGH LEVEL SWITCH MODEL 1550C-F2A-C-W1-ES-CS-NCCV 2.0" NPT 36" VERT. FLOAT
FOIT/FE-2120	1	PRIMARY FLOW WAFER STYLE TURBINE FLOW METER MODEL: WMO200X3
PV-2123	1	CATADYNE LOW PRESSURE SERVICE REGULATOR MODEL # AC-R-912
PIT-2142	1	ROSEMOUNT PRESSURE TRANSMITTER: MODEL 2088G2S22A1M5C6
PSHH-2145	1	HIGH PRESSURE SWITCH (CCS MODEL 6900GE18)
PCV-2130A/B	1	2"-600# RF FISHER 657.46 D-BODY CONTROL VALVE SIZE 46 FAIL CLOSE

- F-210**  
ALBERTA STRAINER BASKET STRAINER  
6"-150 CLASS, SS, 1/8" 316SS  
PERFORATED SCREEN  
C/W CRN REGISTRATION  
MAWP: 285 psig
- P-210**  
GRUNDFOS VERTICAL CENTRIFUGAL PUMP  
MODEL CR64-1  
4"ANSI #125  
SUCTION/DISCHARGE  
150 USGPM, 50 psig
- EM-210**  
TECO WESTINGHOUSE OPTIM HE PLUS PREMIUM EFF. ELECTRIC MOTOR MODEL: PDH0152  
15 HP, 3PH/60HZ/230-460V, 3600RPM  
CLASS 1 DIV II, VFD COMPATIBLE
- F-211**  
FILTREK 7 BAG FILTER  
FILTER BAGS TO BE JL FILTRATION P0-100-P2P  
MODEL #S4LPD24-712-6F,  
6" ANSI 150# CONNECTIONS,  
CARBON STEEL, 100 MICRON FILTER,  
MAWP: 150 psig
- T-211**  
KENCO 55 US GAL. SUPPLY TANK,  
c/w LEVEL CONTROLLER,  
LEVEL SIGHT GLASS,  
TANK LEVEL SWITCH.
- P-212**  
NATIONAL OILWELL 200T-5L TRIPLEX PLUNGER PUMP  
c/w PLUNGER LUBRICATOR,  
6"-150#FF SUCTION  
3"-API#2000RJ DISCHARGE  
150 USGPM
- EM-212**  
TECO WESTINGHOUSE OPTIM HE PLUS PREMIUM EFF. ELECTRIC MOTOR MODEL: PDH15006TE4-RB  
150 HP, 3PH/60HZ/230-460V, 1200RPM
- SD-211**  
SUCTION DAMPENOR, COORSTEK MODEL T-1506-F  
6"-150# RF  
MAWP 150 psig
- DD-211**  
DISCHARGE DAMPENOR, COORSTEK MODEL T-2100-3-F,  
3"-900# RF  
MAWP 2100 psig
- BH-213A/B**  
24"x36" CATADYNE HEATER  
30,000 BTU/Hr.  
120V SAFETY SHUT OFF THERMOCOUPLE PRESSURE REGULATED THERMOSTAT
- BF-201**  
1-12" XP EXHAUST FAN  
CAPABLE OF 12 AC/HR  
c/w BACK DRAFT DAMPENOR AND STORM HOOD,  
120V/1PH/60HZ
- P-215**  
VERSA-MATIC AIR OPERATED DIAPHRAGM - 1.0" PUMP  
MODEL: #E1AA2R229A  
1.0" FNPT INLET AND OUTLET
- K-214**  
EAGLE PV02A TWO CYLINDER, SINGLE STAGE AIR COMPRESSOR  
c/w INTAKE AIR FILTER 2HP,  
3PH/60HZ/208/230-460V  
1800RPM

THIS DRAWING CONTAINS DISTRIBUTION NOW (DNOW) PROPRIETARY AND CONFIDENTIAL INFORMATION AND IS LOANED FOR LIMITED PURPOSES ONLY AND REMAINS THE PROPERTY OF DNOW. IT MAY NOT BE REPRODUCED IN WHOLE OR IN PART WITHOUT THE WRITTEN PERMISSION OF DNOW AND MUST NOT BE DISCLOSED TO PERSONS NOT HAVING NEED OF SUCH DISCLOSURE CONSISTENT WITH THE PURPOSE OF THE LOAN. THE DOCUMENT MUST BE RETURNED TO DNOW UPON REQUEST AND IN ALL EVENTS UPON COMPLETION OF THE USE FOR WHICH IT WAS LOANED.

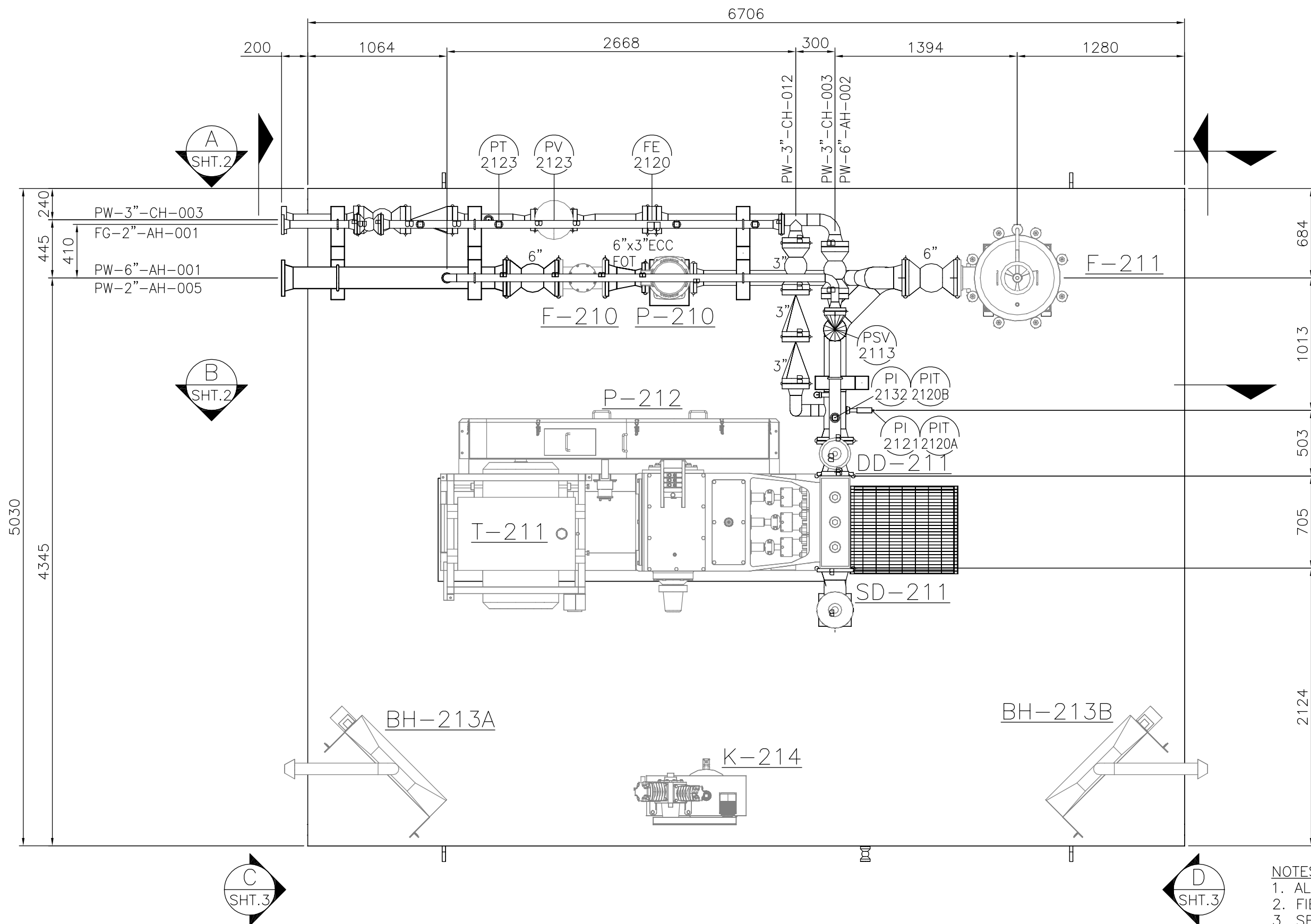
REV.	DATE	DESCRIPTION	BY	CHK.	APP.
A	2014/05/12	ISSUED FOR REVIEW	RBG	JG	
B	2014/05/22	ISSUED FOR REVIEW	RBG	JG	
C	2014/12/13	ISSUED FOR REVIEW	RBG	JG	
D	2014/12/19	ISSUED FOR REVIEW	RBG	JG	
E	2015/02/23	ISSUED FOR REVIEW	RBG	JG	
F	2015/06/16	DRAWING OF RECORD	RBG	VB	

**DISTRIBUTION NOW**  
**CANADIAN PUMPING SYSTEMS**  
 7127-56 Avenue  
 Edmonton, Alberta,  
 Canada, T6B 3L2  
 Tel: (780) 822-7002  
 distributionnow.com

**PROCESS & INSTRUMENTATION DIAGRAM**  
 HUSKY c/o FOCUS (DPH)  
 200T-5L WATER INJECTION PACKAGE  
 SWEET SERVICE

QUOTE: 2014-870    JOB #: 37860    DRAWN: RBG    DATE: 2014/05/12  
 DRAWING N°: 37860-PID-001    LSD: 05-03-078-25 W4M    REV.:  
 SHT.: 1 of 1    SCALE: N.T.S.    F

ESTIMATED WEIGHTS (kgs):  
 PIPING COMPONENTS: 1149  
 EQUIPMENT: 3913  
 STRUCTURAL SKID: 5143



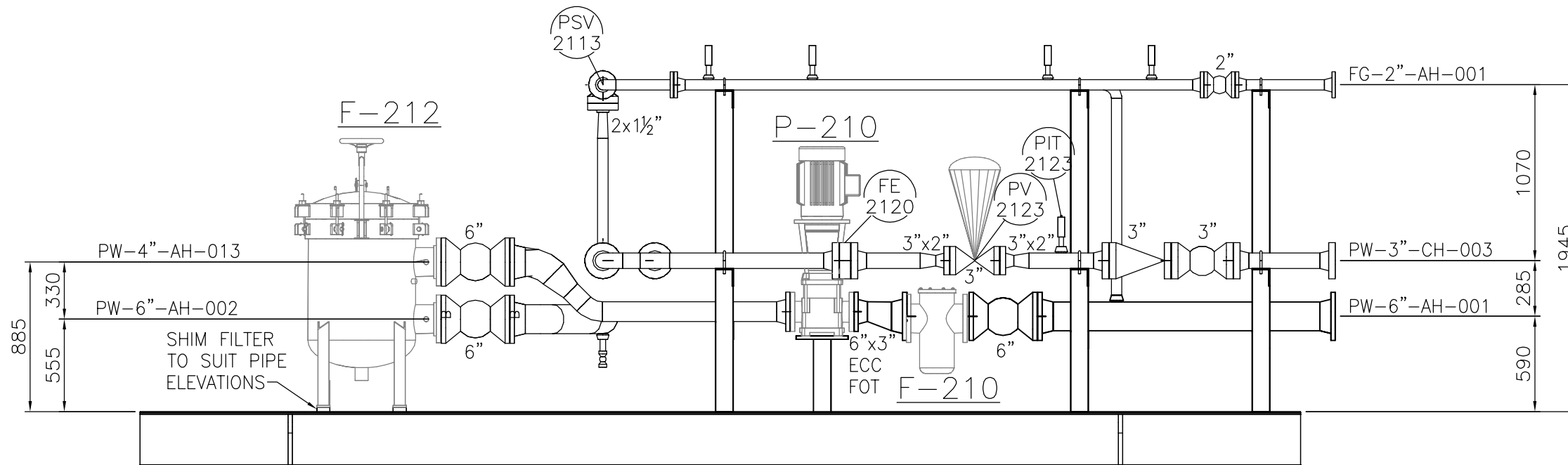
- NOTES:
1. ALL DIMENSIONS ARE IN MILLIMETRES.
  2. FIELD RUN DRAIN LINES TO OPEN SUMP.
  3. SECURE PIPING WITH U-BOLTS AT ALL SUPPORTS.

THIS DRAWING CONTAINS DISTRIBUTION NOW (DNO) PROPRIETARY AND CONFIDENTIAL INFORMATION AND IS LOANED FOR LIMITED PURPOSES ONLY AND REMAINS THE PROPERTY OF DNO. IT MAY NOT BE REPRODUCED IN WHOLE OR IN PART WITHOUT THE WRITTEN PERMISSION OF DNO AND MUST NOT BE DISCLOSED TO PERSONS NOT HAVING NEED OF SUCH DISCLOSURE CONSISTENT WITH THE PURPOSE OF THE LOAN. THE DOCUMENT MUST BE RETURNED TO DNO UPON REQUEST AND IN ALL EVENTS UPON COMPLETION OF THE USE FOR WHICH IT WAS LOANED.

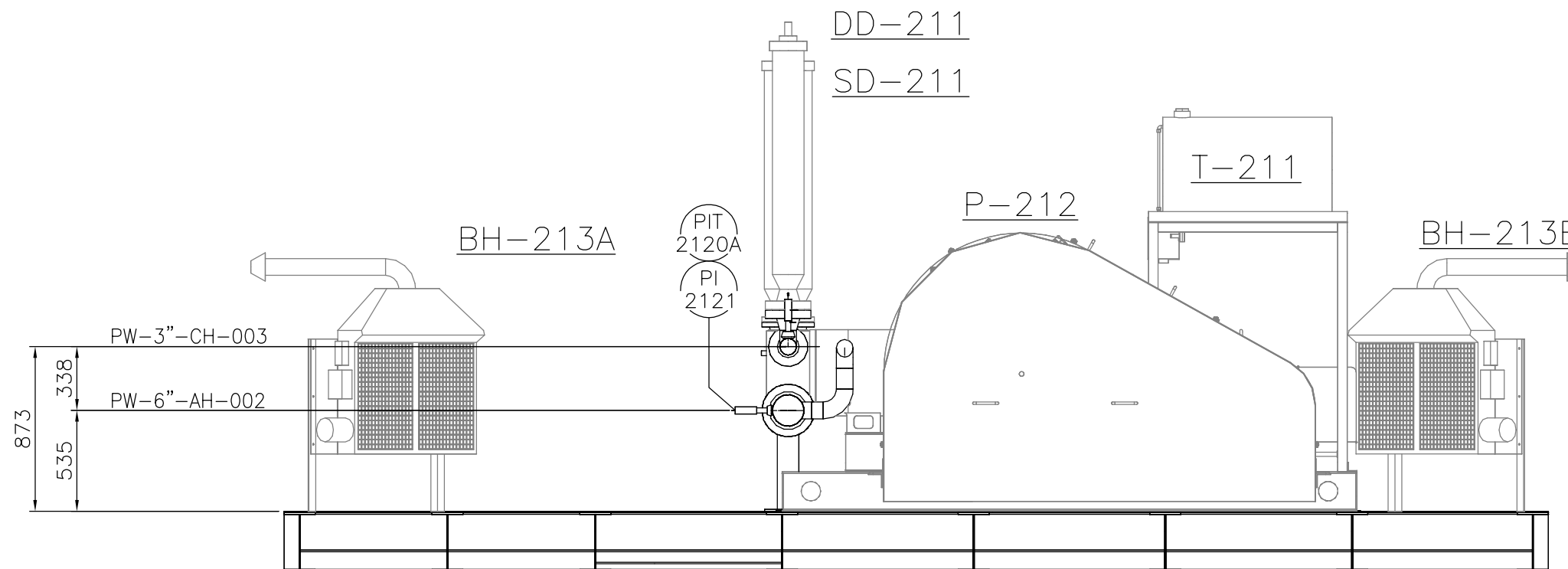
REV.	DATE	DESCRIPTION	BY	CHK.	APP.
A	2014/05/22	ISSUED FOR REVIEW	RBG		
B	2014/12/18	ISSUED FOR REVIEW	RBG		
C	2015/02/23	ISSUED FOR REVIEW	RBG		
D	2015/06/17	DRAWING OF RECORD	RBG		

**DISTRIBUTION NOW**  
**CANADIAN PUMPING SYSTEMS**  
 7127-56 Avenue  
 Edmonton, Alberta,  
 Canada, T6B 3L2  
 Tel: (780) 822-7002  
 distributionnow.com

PIPING GENERAL ARRANGEMENT			
HUSKY c/o FOCUS (DPH)			
200T-5L WATER INJECTION PACKAGE			
PIPING PLAN VIEW			
QUOTE: 2014-870	JOB #: 37860	DRAWN: RBG	DATE: 2014/05/12
DRAWING N°:	LSD:	REV.:	
37860-PIP-001	~	D	
SHT.: 1 of 4	SCALE: 1:30		



SECTION A  
SHT.1



SECTION B  
SHT.1

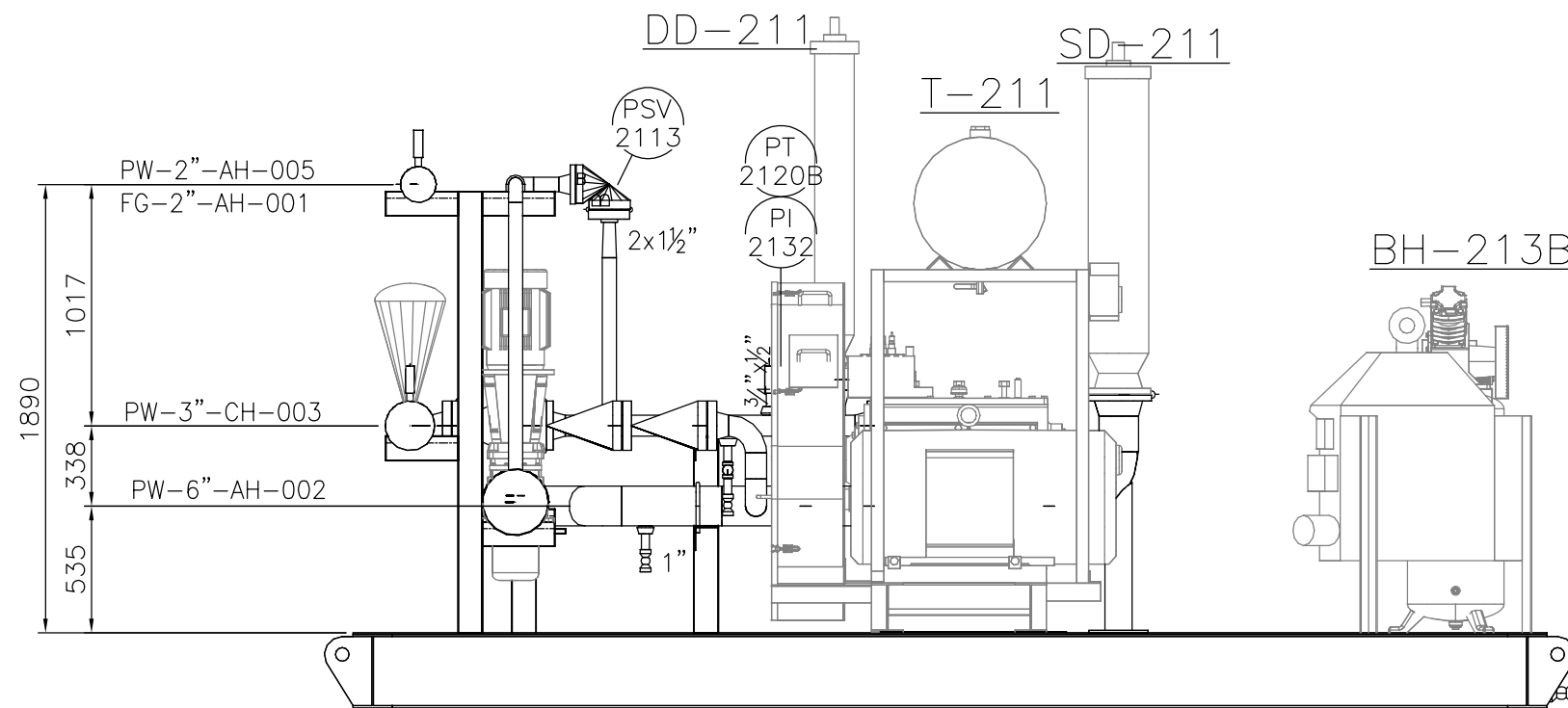
- NOTES:
1. ALL DIMENSIONS ARE IN MILLIMETRES.
  2. FIELD RUN DRAIN LINES TO OPEN SUMP.
  3. SECURE PIPING WITH U-BOLTS AT ALL SUPPORTS.

THIS DRAWING CONTAINS DISTRIBUTION NOW (DNO) PROPRIETARY AND CONFIDENTIAL INFORMATION AND IS LOANED FOR LIMITED PURPOSES ONLY AND REMAINS THE PROPERTY OF DNO. IT MAY NOT BE REPRODUCED IN WHOLE OR IN PART WITHOUT THE WRITTEN PERMISSION OF DNO AND MUST NOT BE DISCLOSED TO PERSONS NOT HAVING NEED OF SUCH DISCLOSURE CONSISTENT WITH THE PURPOSE OF THE LOAN. THE DOCUMENT MUST BE RETURNED TO DNO UPON REQUEST AND IN ALL EVENTS UPON COMPLETION OF THE USE FOR WHICH IT WAS LOANED.

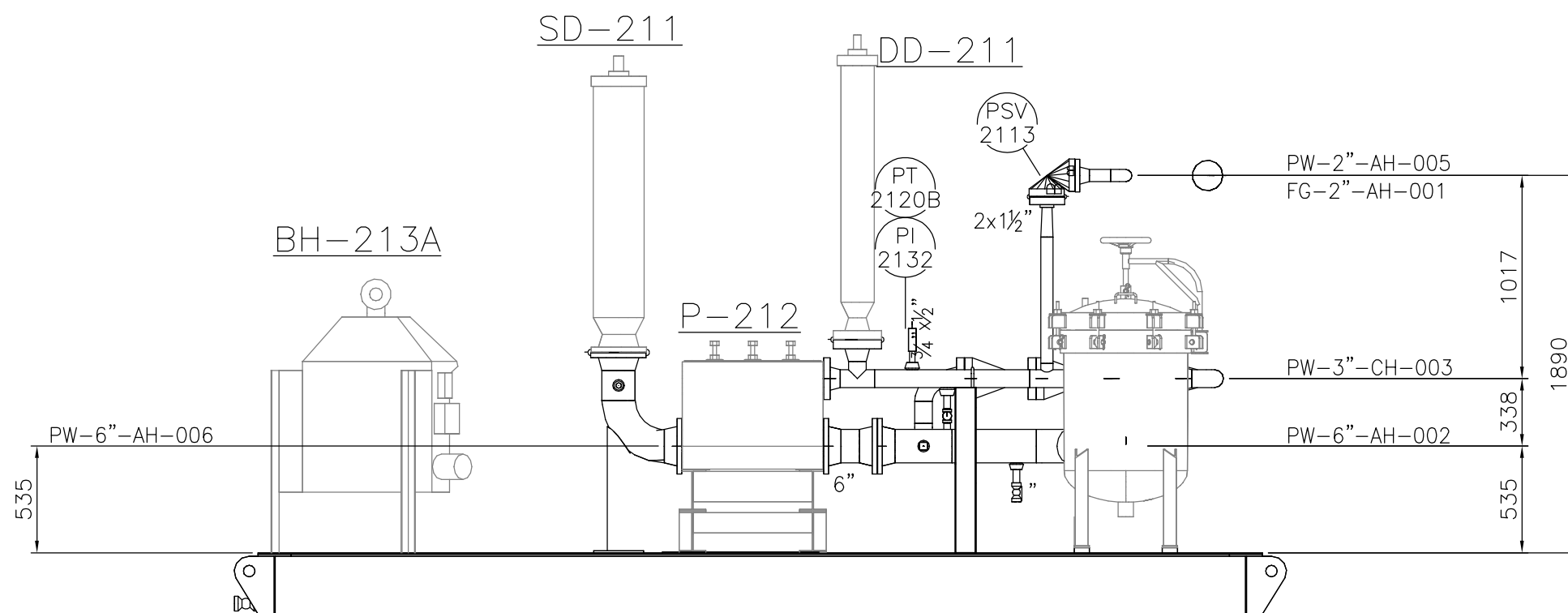
REV.	DATE	DESCRIPTION	BY	CHK.	APP.
A	2014/05/22	ISSUED FOR REVIEW	RBG		
B	2014/12/18	ISSUED FOR REVIEW	RBG		
C	2015/06/17	DRAWING OF RECORD	RBG		

**DISTRIBUTION NOW**  
**CANADIAN PUMPING SYSTEMS**  
 7127-56 Avenue  
 Edmonton, Alberta,  
 Canada, T6B 3L2  
 Tel: (780) 822-7002  
 distributionnow.com

PIPING GENERAL ARRANGEMENT			
HUSKY c/o FOCUS (DPH)			
200T-5L WATER INJECTION PACKAGE			
PIPING SECTIONS			
QUOTE: 2014-870	JOB #: 37860	DRAWN: RBG	DATE: 2014/05/12
DRAWING N°:	LSD:	REV.:	
37860-PIP-001	~		C
	SHT.: 2 of 4	SCALE: 1:30	



SECTION C  
SHT.1



SECTION D  
SHT.1

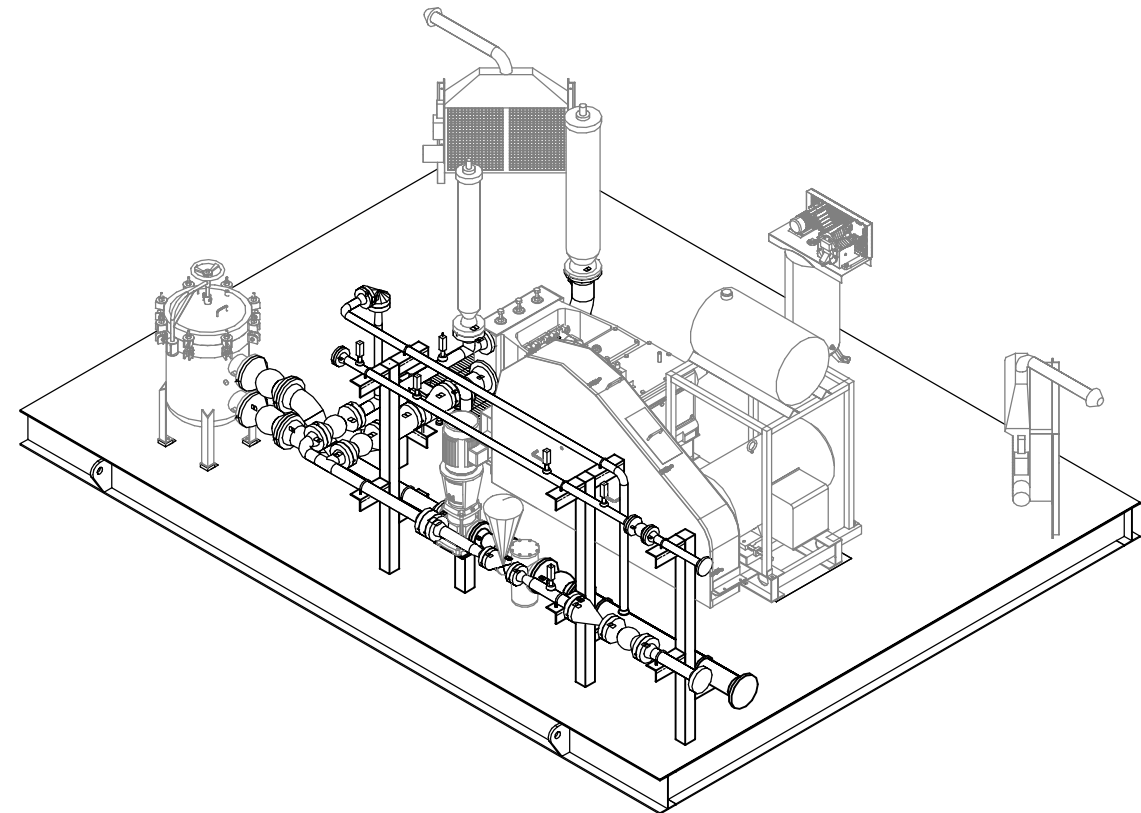
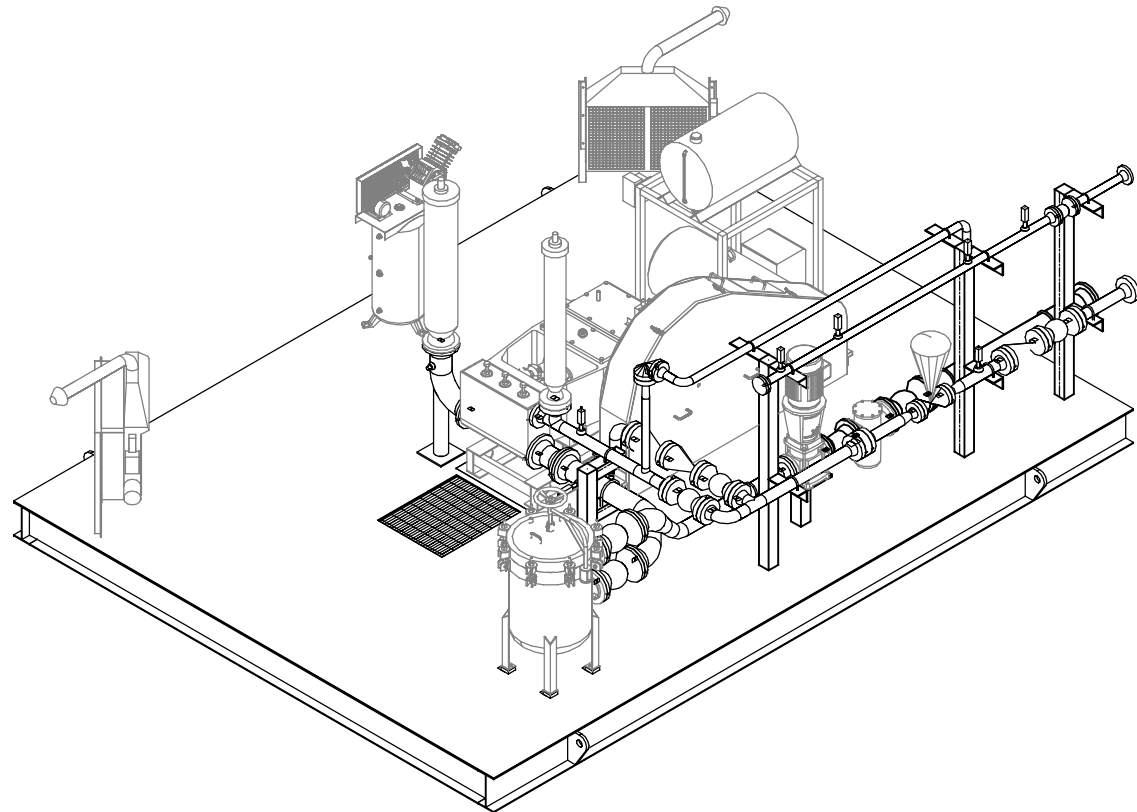
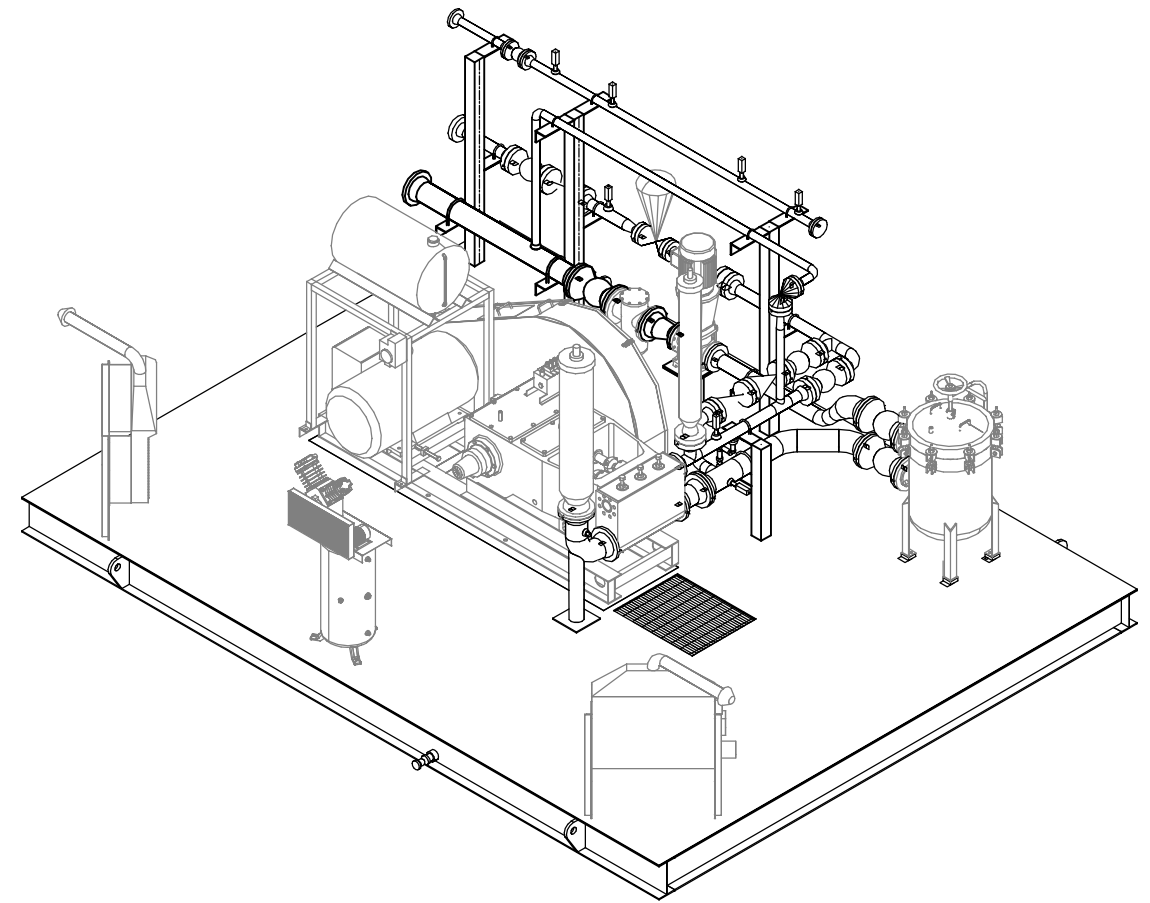
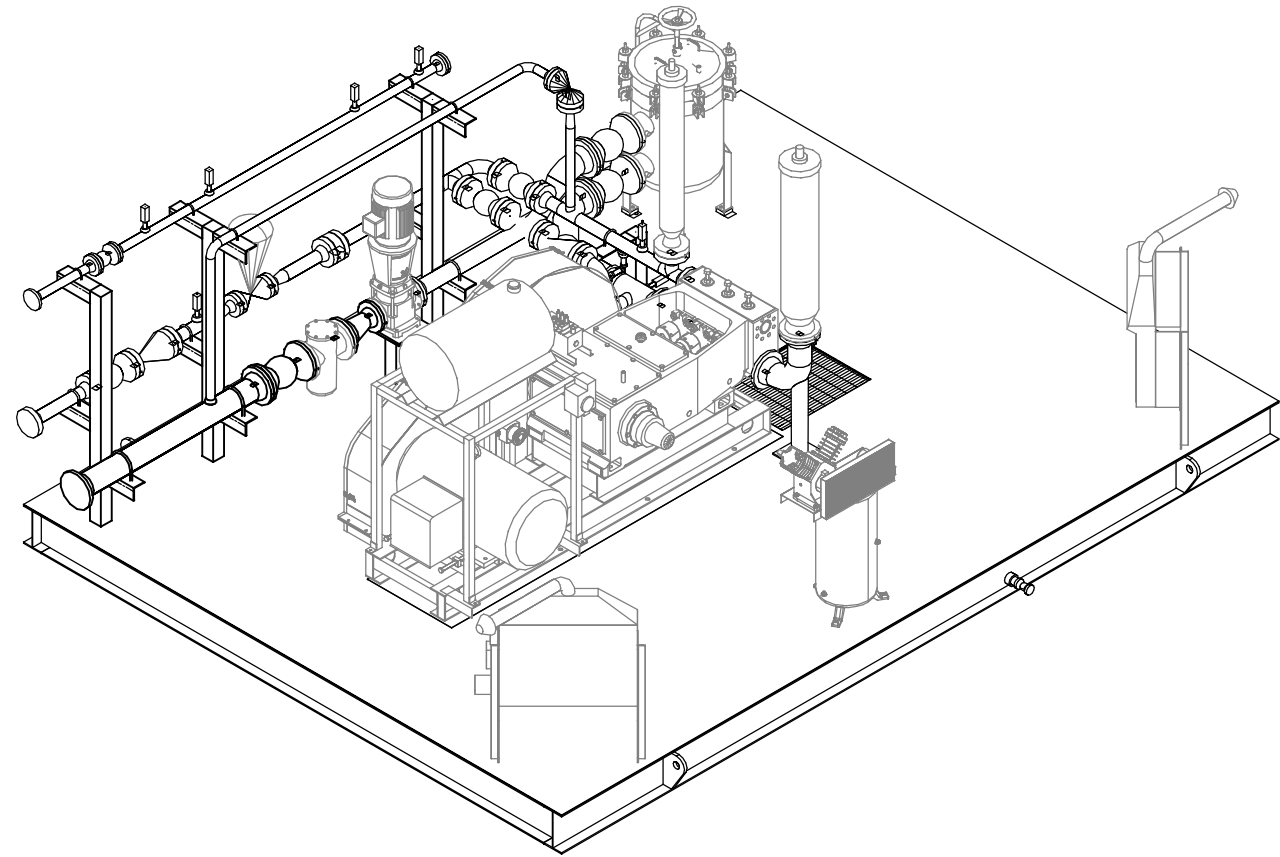
- NOTES:
1. ALL DIMENSIONS ARE IN MILLIMETRES.
  2. FIELD RUN DRAIN LINES TO OPEN SUMP.
  3. SECURE PIPING WITH U-BOLTS AT ALL SUPPORTS.

THIS DRAWING CONTAINS DISTRIBUTION NOW (DNO) PROPRIETARY AND CONFIDENTIAL INFORMATION AND IS LOANED FOR LIMITED PURPOSES ONLY AND REMAINS THE PROPERTY OF DNO. IT MAY NOT BE REPRODUCED IN WHOLE OR IN PART WITHOUT THE WRITTEN PERMISSION OF DNO AND MUST NOT BE DISCLOSED TO PERSONS NOT HAVING NEED OF SUCH DISCLOSURE CONSISTENT WITH THE PURPOSE OF THE LOAN. THE DOCUMENT MUST BE RETURNED TO DNO UPON REQUEST AND IN ALL EVENTS UPON COMPLETION OF THE USE FOR WHICH IT WAS LOANED.

REV.	DATE	DESCRIPTION	BY	CHK.	APP.
A	2014/05/22	ISSUED FOR REVIEW	RBG		
B	2014/12/18	ISSUED FOR REVIEW	RBG		
C	2015/06/17	DRAWING OF RECORD	RBG		

**DISTRIBUTION NOW**  
**CANADIAN PUMPING SYSTEMS**  
 7127-56 Avenue  
 Edmonton, Alberta,  
 Canada, T6B 3L2  
 Tel: (780) 822-7002  
 distributionnow.com

PIPING GENERAL ARRANGEMENT			
HUSKY c/o FOCUS (DPH)			
200T-5L WATER INJECTION PACKAGE			
PIPING SECTIONS			
QUOTE: 2014-870	JOB #: 37860	DRAWN: RBG	DATE: 2014/05/12
DRAWING N°:	LSD:	REV.:	
37860-PIP-001	~		C
	SHT.: 3 of 4	SCALE: 1:30	



THIS DRAWING CONTAINS DISTRIBUTION NOW (DNO) PROPRIETARY AND CONFIDENTIAL INFORMATION AND IS LOANED FOR LIMITED PURPOSES ONLY AND REMAINS THE PROPERTY OF DNO. IT MAY NOT BE REPRODUCED IN WHOLE OR IN PART WITHOUT THE WRITTEN PERMISSION OF DNO AND MUST NOT BE DISCLOSED TO PERSONS NOT HAVING NEED OF SUCH DISCLOSURE CONSISTENT WITH THE PURPOSE OF THE LOAN. THE DOCUMENT MUST BE RETURNED TO DNO UPON REQUEST AND IN ALL EVENTS UPON COMPLETION OF THE USE FOR WHICH IT WAS LOANED.

REV.	DATE	DESCRIPTION	BY	CHK.	APP.
A	2014/05/22	ISSUED FOR REVIEW	RBG		
B	2014/12/18	ISSUED FOR REVIEW	RBG		
C	2015/06/17	DRAWING OF RECORD	RBG		

**DISTRIBUTION NOW**

**CANADIAN PUMPING SYSTEMS**  
 7127-56 Avenue  
 Edmonton, Alberta,  
 Canada, T6B 3L2  
 Tel: (780) 822-7002  
 distributionnow.com

**PIPING GENERAL ARRANGEMENT**  
 HUSKY c/o FOCUS (DPH)  
 200T-5L WATER INJECTION PACKAGE  
 PIPING PERSPECTIVES

QUOTE: 2014-870	JOB #: 37860	DRAWN: RBG	DATE: 2014/05/12
DRAWING N°:	37860-PIP-001	LSD:	REV.:
		SHT.: 4 of 4	SCALE: N.T.S.
			C