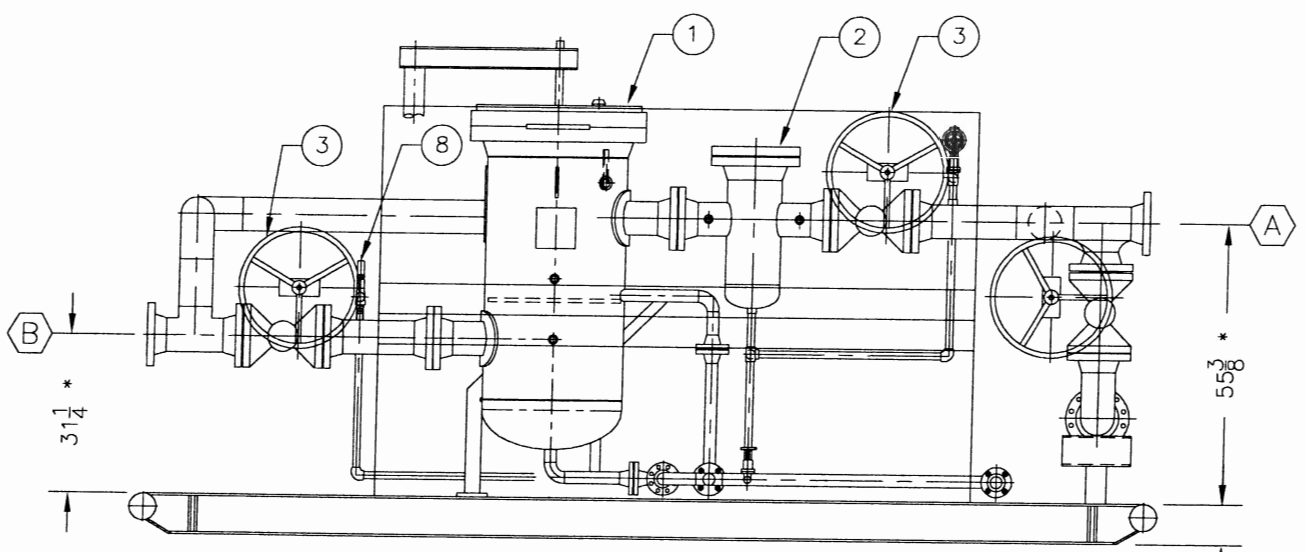
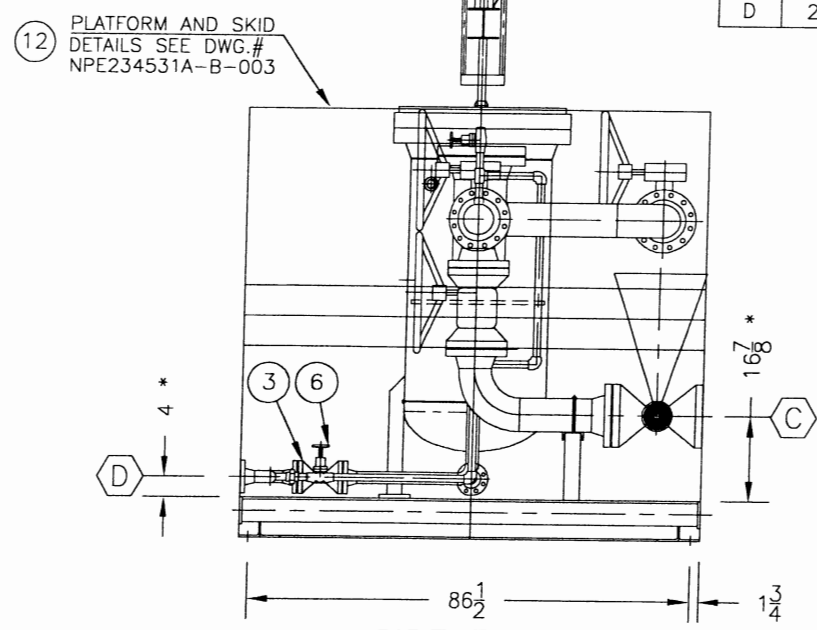


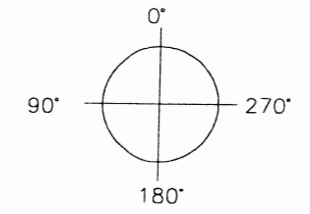
PLAN



ELEVATION



SIDE ELEVATION



NOZZLE ORIENTATION

- 9 MOUNT PDI AND DPT ON PLATFORM/SKID AT READABLE HEIGHT
- 10

BILL OF MATERIAL

ITEM	QTY.	DESCRIPTION	MFR'R
1	1	FILTER HOUSING 6"-300# RF INLET/OUTLET, MODEL# 57-66-229-28-701-6F	PECO
2	1	BASKET STRAINER 6"-300# RF INLET/OUTLET	-
3	4	6"-300# RF FP KF (F-SERIES) GEAR OPERATED BALL VALVE MODEL # 1724-192293 WITH SS INTERNAL	KF
4	1	6"-300# RFFP GLOBE VALVE MODEL#23FCB4-2	NEWCO
5	2	2"-300# RF FP BALL VALVE MODEL #	TBA
6	2	1"-CLASS 800# THRD BALL VALVE MODEL #	TBA
7	1	1"-CLASS 800# THRD GATE VALVE MODEL #	TBA
8	1	3/4"MNPT INLET x 1"FNPT OUTLET PRESSURE RELIEF VALVE, CROSBY OMNI SERIES MODEL# 951301MA SET @ 701 PSIG	CROSBY
9	2	DIFFERENTIAL PRESSURE TRANSMITTER MODEL# 1151DP5S52M7B1C6 (NOT SHOWN)	ROSEMOUNT
10	2	DIFFERENTIAL PRESSURE INDICATOR MODEL #1201-PG-I-C-2.5L, 0-25 PSI/kPa (NOT SHOWN)	ORANGE
11	4	GAUGE AND BLEED VALVE WITH PLUG, MODEL M51VIS-46-CB/H71VIS-44Q-CB (NOT SHOWN)	AGCO
12	1	STRUCTURAL STEEL SKID 8WF MAIN MEMBER c/w GRATING PLATFORM	NPE

NOZZLE SCHEDULE

TAG	SIZE	DESCRIPTION	RATING	MAT'L	ORIENTATION
A	6"	INLET	300# RF	CS	270
B	6"	OUTLET	300# RF	CS	90
C	6"	BY-PASS	300# RF	CS	0
D	2"	DRAIN	150# RF	CS	180

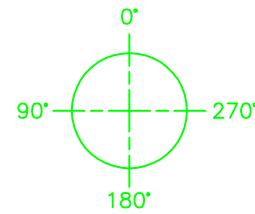
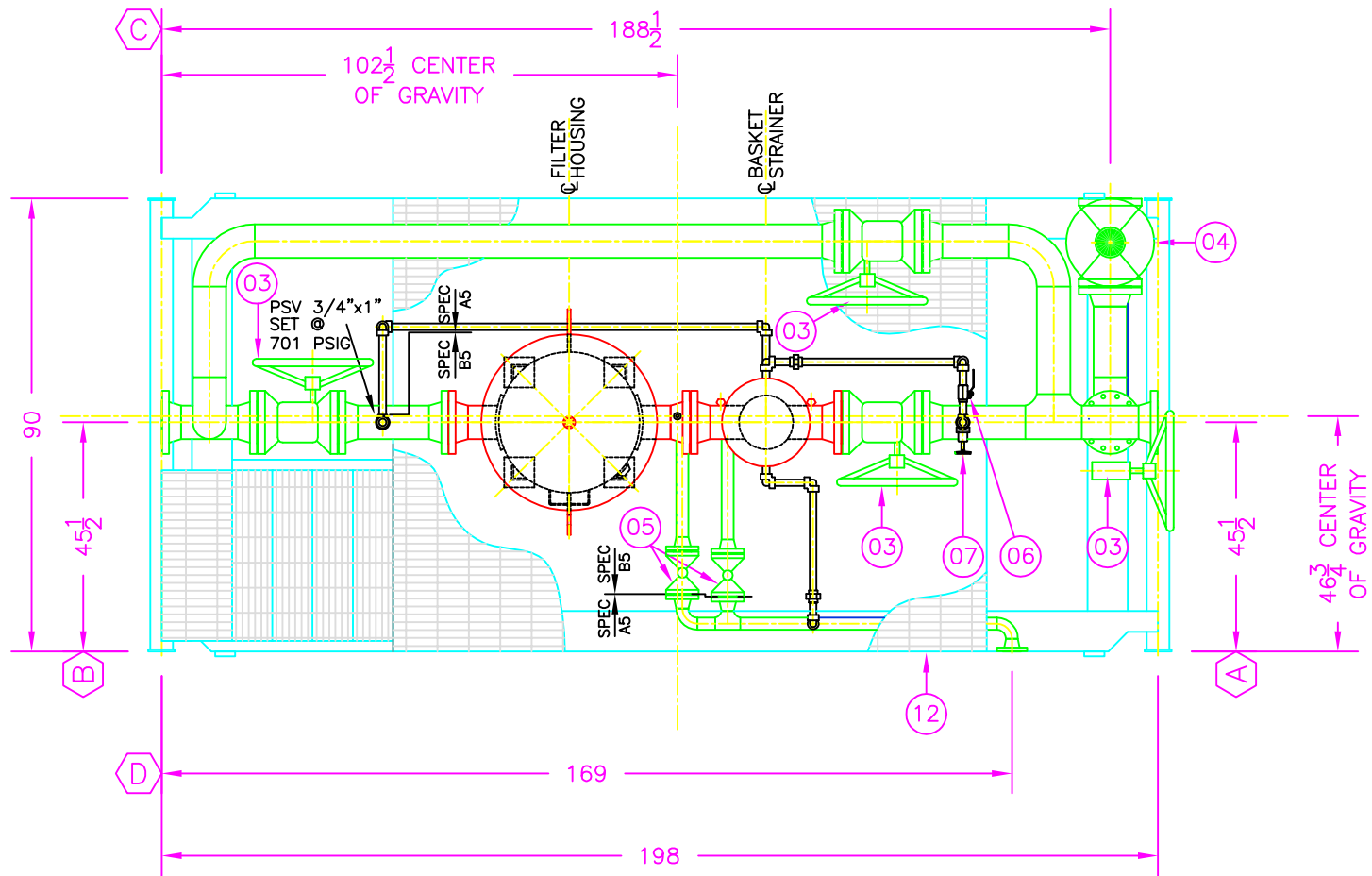
REFERENCE DRAWINGS		NEXEN APPROVAL				REVISION		APPROVAL			PROFESSIONAL STAMP	PERMIT STAMP	
DRAWING No	TITLE	ISSUE	DATE Y-M-D	PROJ. ENG.	PROJ. MGR.	REV No	DATE (YY-MM-DD)	DESCRIPTION	DRAFTED BY	CHECKED BY	APPROVED BY	DATE	
						A		ISSUED FOR BID					

**CANADIAN nexen** CANADIAN NEXEN YEMEN LTD.

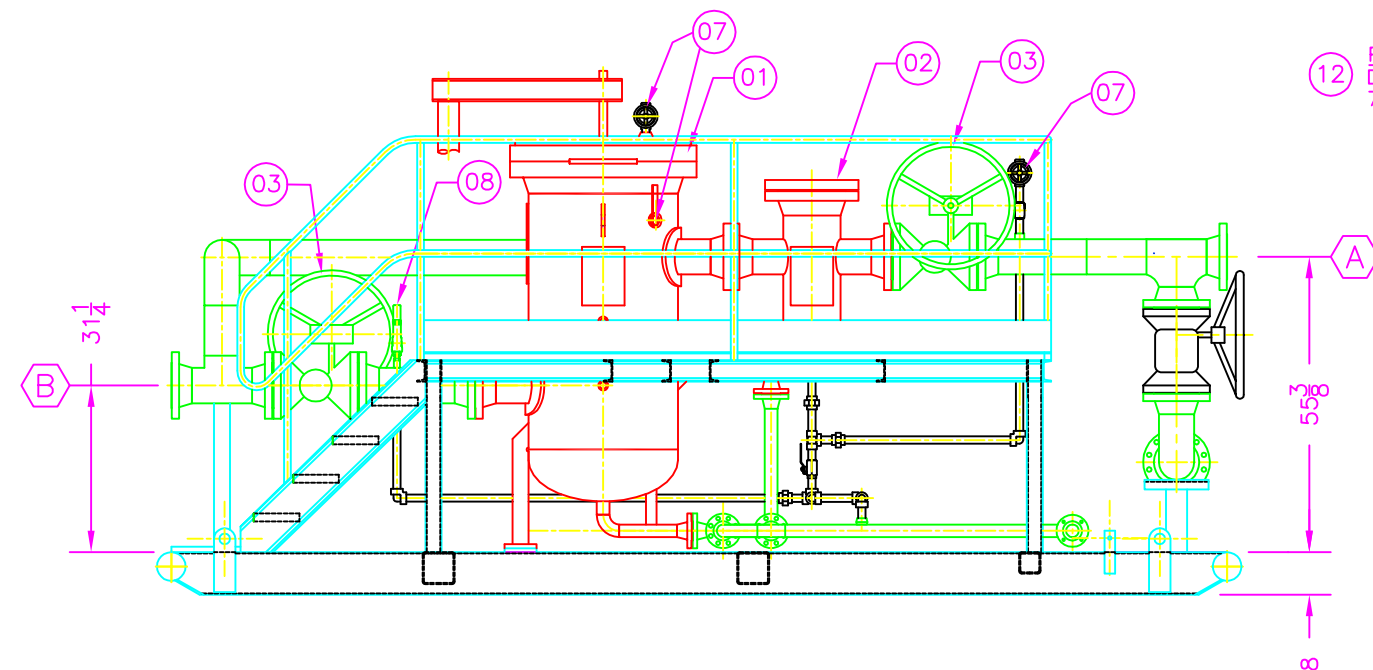
WATER FILTRATION SKID  
20KBWPD  
GENERAL ARRANGEMENT

BUS. UNIT: BUSINESS UNIT LOCATION: LOCATION SCALE: SCALE  
EPC NAME: EPC DRAWING No.:  
NEXEN DWG No.: SHEET No. 1 OF 1 REV A

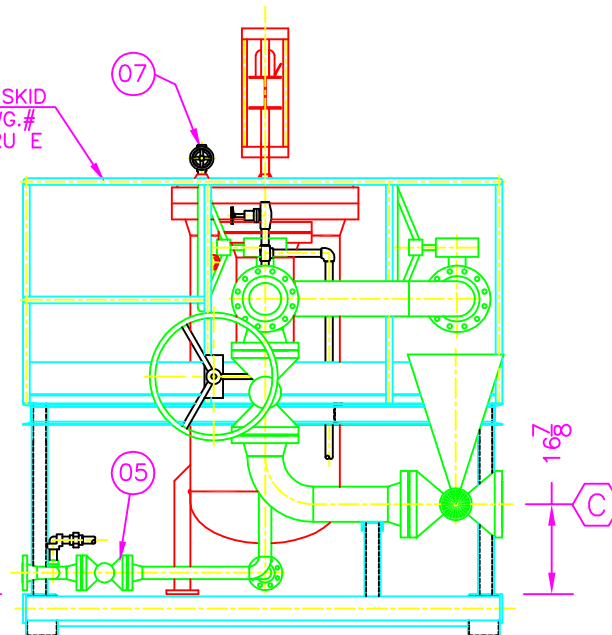
FILE NAME:FILENAME.XXX



NOZZLE ORIENTATION



12 PLATFORM AND SKID DETAILS SEE DWG.# 710A-003A THRU E



BILL OF MATERIAL			
ITEM	QTY.	DESCRIPTION	MFR'R
01	1	FILTER HOUSING, 6" 300# RF INLET/OUTLET	MICRON/E&D
		PECO M/N: 57-66-229-28-701-6F	
		REQUIRES 66 FILTER POSTS BY NPE	
		FILTER ELEMENTS SUPPLIED BY NEXEN	
		2,815 lbs. DRY WEIGHT	
02	1	BASKET STRAINER, 6" 300# RF INLET/OUTLET	E&D PIPE
		10" XH BODY, 602 lbs. DRY WEIGHT	
03	4	6" 300# RF FP BALL VALVE, GEAR OPERATED	WKM
		TRUNNION STYLE, CS BODY, SS BALL & STEM	
		MODEL NUMBER: 370CT-24TFF23	
04	1	6" 300# RF FP GLOBE VALVE	NEWCO
		CS BODY, 316SS TRIM, M/N 23FCB4-2	
		ALTERNATIVE: LCC BODY M/N 23FLCC4-S	
05	2	2" 300# RF FP BALL VALVE, LEVER OPERATED	WKM
		TRUNNION STYLE, CS BODY, SS BALL & STEM	
		MODEL NUMBER: 370D4-24YFF23	
06	2	1" 3000# (2220# FOR PTFE SEAT) FNPT RP	KF
		BALL VALVE 316SS BODY & TRIM	
		M/N: 6104-21221	
07	3	1" 800# FP GATE VALVE, 316SS BODY & TRIM	CRANE
		MODEL NUMBER: B3604LUT-F316	
08	1	3/4" MNPT X 1" FNPT PRES. RELIEF VALVE	CROSBY
		316SS BODY & TRIM M/N: 95130MA	
09	1	DIFFERENTIAL PRESSURE TRANSMITTER	ROSEMOUNT
		0-25 psig DIFF., 4-20 mA OUTPUT	
		0-750 INCHES WATER	
		MODEL NUMBER 1151DP5S52M7B1C6	
10	2	DIFFERENTIAL PRESSURE INDICATOR	ORANGE
		1/2" PORTS, 0-25 psi, DUAL SCALE	RESEARCH
		M/N 201-PG-I-C-2.5L	
11	4	MULTIPORT BLOCK & BLEED VALVE	ANDERSON
		3/4" INLET W/ THREE 1/2" OUTLET PORTS	GREENWOOD
		M/N: MS1VIS-46-CB / H71VIS-44Q-CB	
12	1	STRUCTURAL STEEL SKID, 8"x6"x1/4" HSS	NPE
		MAIN MEMBERS C/W FABRICATED PLATFORM	
		3/16" X 1-1/4" SERRATED GRATING	
		1-1/4" STD PIPE HANDRAIL	
		TOTAL APPROXIMATE DRY WEIGHT: 4,270 lbs.	

GENERAL NOTES

- ALL DIMENSIONS ARE IN INCHES, AND MAY VARY +/- 3/8".
- REFER TO NPE DRAWING 710A-001 FOR P&ID.
- REFER TO NPE DRAWINGS 710A-003A THRU D FOR STRUCTURAL DETAILS
- REFER TO NPE DRAWINGS 710A-004A THRU H FOR PIPING DETAILS
- PIPING CONFIGURATION WITHIN NPE SCOPE OF SUPPLY MAY DIFFER SLIGHTLY AT NPE DISCRETION FROM THAT SHOWN IN THIS DRAWING
- APPROXIMATE TOTAL DRY SHIPPING WEIGHT: 13,000 lbs. (5,897 kg)

YMN-B051-V-001-A

NOZZLE SCHEDULE					
TAG	SIZE	DESCRIPTION	RATING	MAT'L	ORIENTATION
A	6"	INLET	300# RF	SA-105	270
B	6"	OUTLET	300# RF	SA-105	90°
C	6"	BY-PASS	300# RF	SA-105	0°
D	2"	DRAIN	150# RF	SA-105	180°

PROJECT REFERENCE	
CUSTOMER	NEXEN PETROLEUM INTERNATIONAL LTD
CUSTOMER REF.	CONTRACT NO. 4600000710
CONSULTANT	MACDONALD ENGINEERING
END USER	NEXEN PETROLEUM INTERNATIONAL LTD
PROJECT REF.	20KBWPD WATER FILTRATION SKIDS
LOCATION	YEMEN
TAG NO.	A9 THRU A11
NPE JOB NO.	SLS236280

REV	DATE	DESCRIPTION	BY	CHK	APR
3	07/07/04	AS BUILT	PZ	AS	AS
2	04/01/04	ISSUED FOR CONSTRUCTION	PZ	AS	AS
1	12/23/03	DELETED PDIT ON STRAINER	PZ	AS	AS
	03/03/04	NPE INTERNAL REALIGNMENT			
0	12/01/03	ISSUED FOR CONSTRUCTION	PZ	AS	AS

**National Process Equipment**  
PUMPS & COMPRESSORS

Vancouver - Calgary - Edmonton - Saskatoon - Winnipeg - Toronto - Montreal - Halifax

BRANCH	EDMONTON, PHONE: (780)452-4490, FAX: (780)452-9140	CONTACT	AMAR SIHRA
TITLE	20KBWPD WATER FILTRATION SKID GENERAL ARRANGEMENT DRAWING		
SCALE	DRAWN BY	DATE DRAWN	CHECKED BY
N.T.S.	JB	01/22/03	AS
PROJECT NUMBER	DRAWING NUMBER	REVISION	
SLS236280	710A-002	3	