
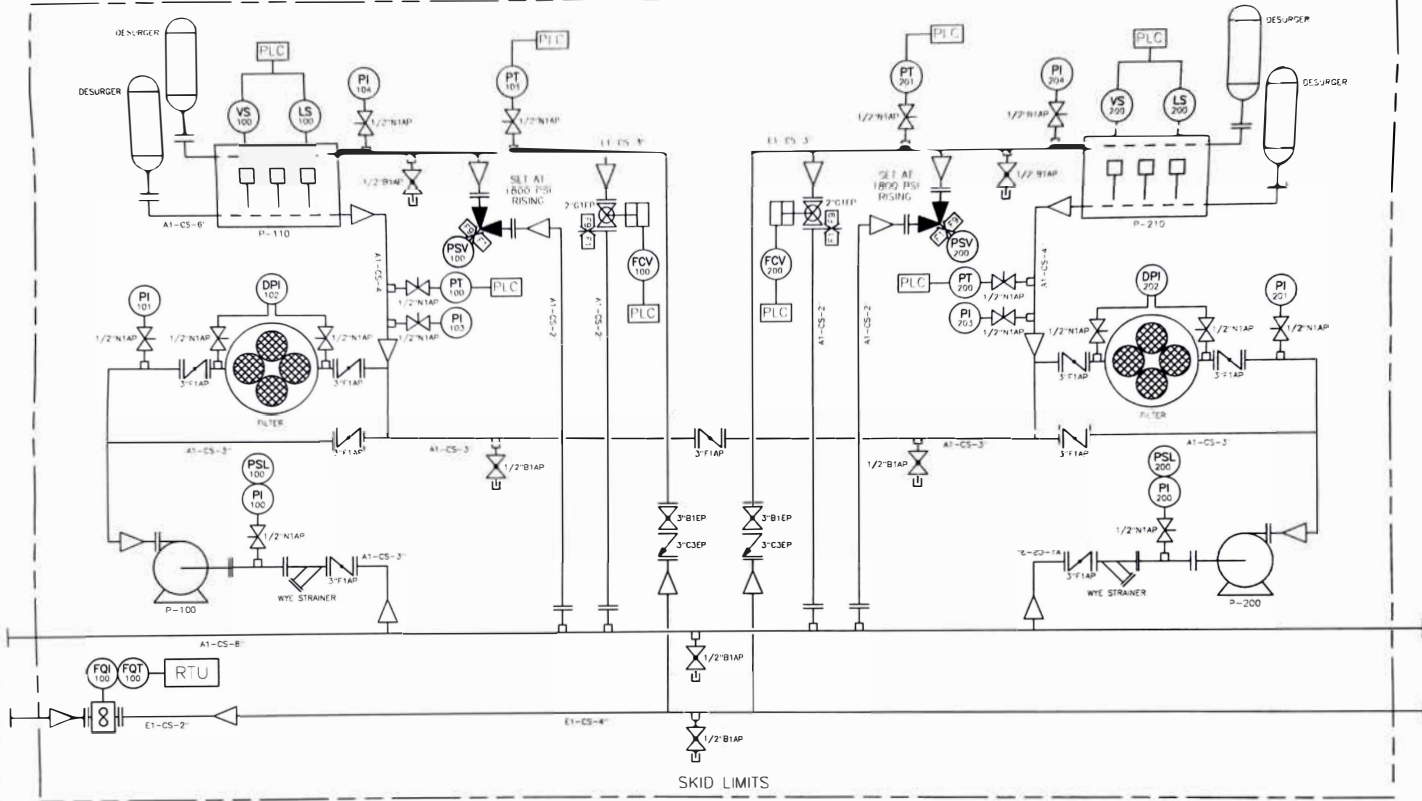


| | Name | Date | Title |
|---|------|----------|---|
| Created By | TJT | 03/06/10 | Water Injection Skid General Arrangement Dwg |
| Checked By | TJT | 03/06/10 | |
| Scale | 1:64 | | |
|  Power Zone Equipment, Inc. 46920 County Road E Center, CO 81125 USA Phone +1 (719) 754-2121 Fax +1 (719) 754-1982 www.powerzoneequipment.com | | | Drawing Number 10294-GA Issue |



- P-100 2x3x10 CENTRIFUGAL ANSI PUMP, 170 GPM @ 42 PSI
- P-200 2x3x10 CENTRIFUGAL ANSI PUMP, 170 GPM @ 42 PSI
- P-110 2.5x5 QUINTUPLEX RECIPROCATING PLUNGER PUMP, 170 GPM @ 1800 PSI
- P-210 2.5x5 QUINTUPLEX RECIPROCATING PLUNGER PUMP, 170 GPM @ 1800 PSI

| | Name | Date | | |
|---|------|----------|--|--|
| Created By | TJT | 03/15/10 | Water Injection Skid Process Flow Diagram | |
| Checked By | | | | |
| Scale | 1:32 | | | |
| Power Zone Equipment, Inc. 46920 County Road E Center, CO 81125 Phone (719) 754-2121 Fax (719) 754-1982 | | | Drawing Number 10294-PFD | |