



#1955

300HP National 300Q-5M Unitized / Mini Skid Pumps

FOR IMMEDIATE SALE



New, Never Used & Shrink-wrapped!

These two National 300Q-5M Quintuplex pumps are available to be purchased on their own, or as part of a full turnkey pump package. The pumps are already constructed and set up to be dropped right in and feature: discharge & suction pulsation stabilizers, belts, pulleys, guard, VFD with transformer, plunger & power end lubrication with day tanks.

Whether you need these on their own, or in package – call us today and we'll get you a quote within a few hours!

FOR IMMEDIATE SALE

#1955

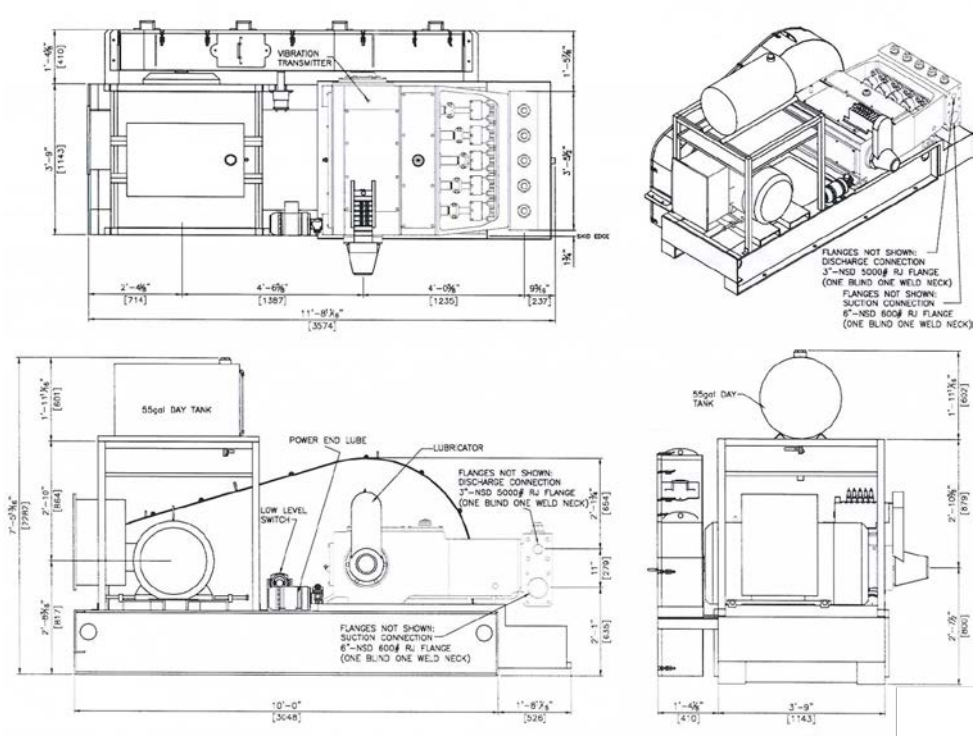
300HP National 300Q-5M Unitized / Mini Skid Pumps



Condition	New / Never Used
Manufactured	2012
Location	Halkirk, Alberta
Availability	Immediate – 4 weeks for turnkey system
Pump	National 300Q-5M
Plungers	2.125" Tungsten Carbide
Motors	200HP; TEFC, 1200RPM c/w VFD
Stabilizers	Coorstek 600cu inch suction & discharge w/ internal coating
Fluid End	Aluminum Bronze
Dimensions	11'8" x 3'9"
Additional Notes	Belts, guard, pulley, vibration transmitter, LSL, lubricator w/ day tank

Pump Performance

					100 RPM		200 RPM		250 RPM		300 RPM		350 RPM		400 RPM	
Model	Plunger	Gal/Rev	Max PSI	Max kPa	m ³ /d	GPM	m ³ /d	GPM	m ³ /d	GPM	m ³ /d	GPM	m ³ /d	GPM	m ³ /d	GPM
National 300Q-5L	4.0"	136	851	5867	741	136	1483	272	1853	340	2224	408	2595	476	2965	544
	3.75"	11953	969	6681	651	120	1303	239	1629	299	1955	359	2281	418	2606	478
	3.5"	10412	1112	7667	567	104	1135	208	1419	260	1703	312	1986	364	2270	417
	3.25"	0.8978	1290	8894	489	89.8	979	180	1224	225	1468	269	1713	314	1957	359
	3.0"	0.765	1514	10439	417	76.5	834	153	1042	191	1251	230	1459	268	1668	306
	2.75"	0.6428	1650	11376	350	64.3	701	129	876	161	1051	193	1226	225	1401	257
National 300Q-5M	2.75"	0.6428	1801	12417	350	64.3	701	129	876	161	1051	193	1226	225	1401	257
	2.5"	0.5312	2180	15031	289	53.1	579	106	724	133	869	159	1013	186	1158	213
	2.375"	0.4795	2415	16651	261	47.9	523	95.9	654	120	784	144	915	168	1045	192
	2.25"	0.4303	2691	18554	234	43	469	86.1	587	108	704	129	821	151	938	172
	2.125"	0.3838	3000	20684	209	38.4	419	76.8	523	96	627	115	732	134	837	154
	2.0"	0.34	3000	20684	185	34	371	68	463	85	556	102	649	119	741	136
National 300Q-5H	2.0"	0.34	3406	23484	185	34	371	68	463	85	556	102	649	119	741	136
	1.875"	0.2988	3875	26717	163	29.9	326	59.8	407	74.7	488	89.6	570	105	651	120
	1.75"	0.2603	4449	30675	142	26	284	52.1	355	65.1	426	78.1	497	91.1	567	104
	1.625"	0.2245	5000	34474	122	22.4	245	44.9	306	56.1	367	67.3	428	78.6	489	89.8
	1.5"	0.1912	5000	34474	104	19.1	208	38.2	261	47.8	313	57.4	365	66.9	417	76.5
<i>Brake HP Required</i>					76	151	188	225	263	300						







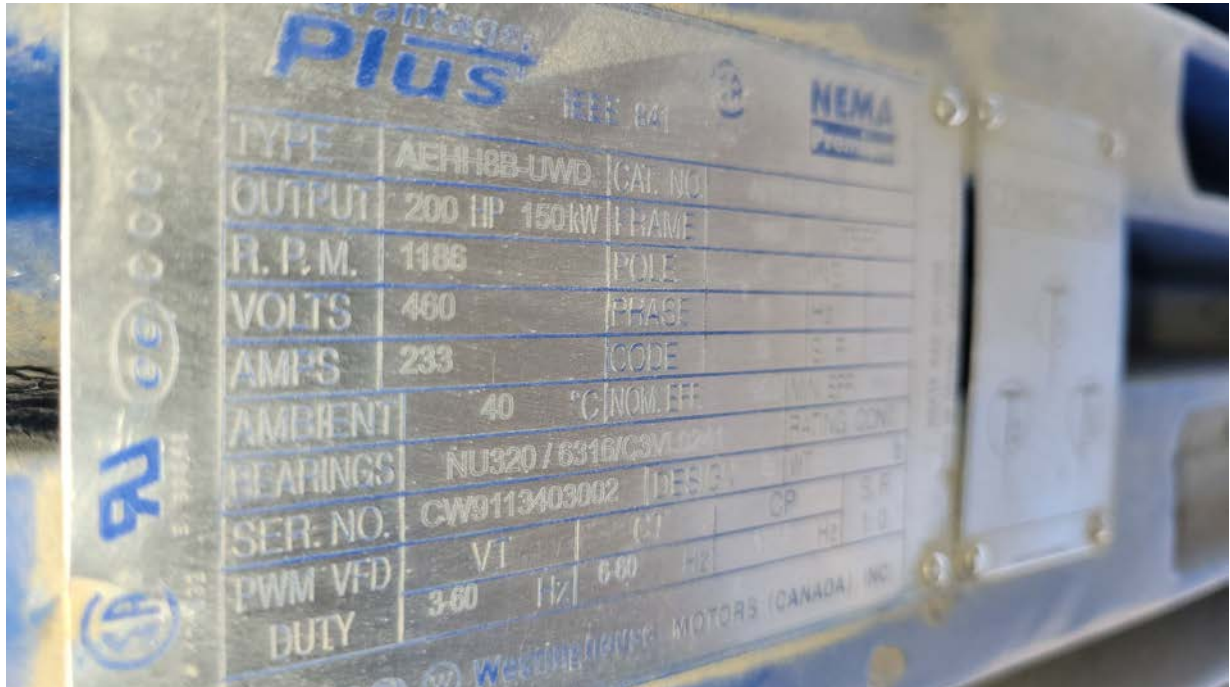


OPTIM [®] TEFC		NEMA Premium	
TYPE	AEHH-8N	CAT. NO.	EM0016C
OUTPUT	1 HP 0.75kW	FRAME	145TC TEFC
R. P. M.	1150	POLE	6 INS. F
VOLTS	230/460	PHASE	3 Hz 60
AMPS	3.16/1.72	CODE	G S. F. 1.15
AMBIENT	40 °C	NOM. EFF.	82.5
		MIN. EFF.	80.0
BEARINGS	DE 6205ZZ	NDE 6205ZZ	RATING CONT.
SER. NO.	MC212C439002	DESIGN	WT. 6 LBS
PWM VFD	VT	ST	CP
DUTY	3-60 Hz	6-60 Hz	60-120 Hz
			S. F. 1.0
TEFC Westinghouse MOTORS (CANADA) INC			

CC0002A
 10/18
 RI
 SP

MADE IN TAIWAN 31045H274X204(C)

CERTIFIED MOTOR FOR



Plus		NEMA Premium	
TYPE	AEHH8B-UWD	CAT. NO.	
OUTPUT	200 HP 150kW	FRAME	
R. P. M.	1186	POLE	
VOLTS	460	PHASE	
AMPS	233	CODE	
AMBIENT	40 °C	NOM. EFF.	
		MIN. EFF.	
BEARINGS	NU320 / 631B/C3M1241	RATING CONT.	
SER. NO.	CW9113409002	DESIGN	WT.
PWM VFD	VT	ST	CP
DUTY	3-60 Hz	6-60 Hz	60-120 Hz
			S. F. 1.0
Westinghouse MOTORS (CANADA) INC			

CC0002A
 10/18
 RI
 SP

